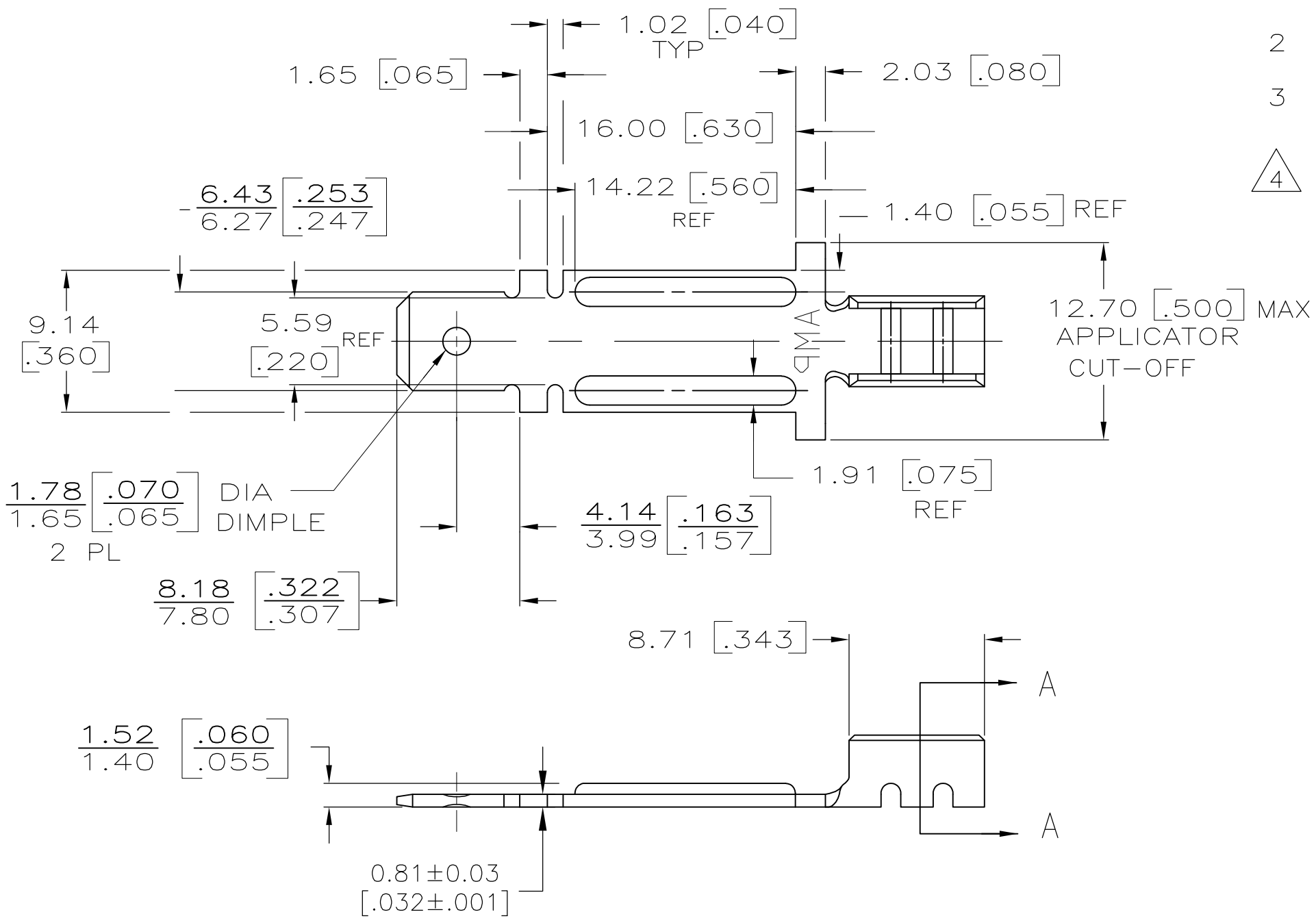
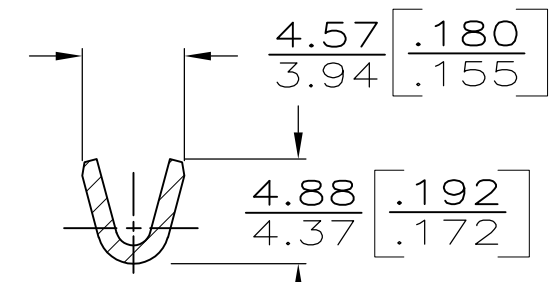


THIS DRAWING IS UNPUBLISHED. RELEASED FOR PUBLICATION
 © COPYRIGHT - BY TYCO ELECTRONICS CORPORATION. ALL RIGHTS RESERVED.

LOC	DIST	REVISIONS					
AF	50	P	LTR	DESCRIPTION	DATE	DWN	APVD
			E1	REV PER ECR 028461	29NOV07	JR	PD



- 1 CONTINUOUS STRIP ON REELS.
- 2 WIRE SIZE IS 0.30-1.45MM DIA [22-15]
- 3 SEE SHEET 2 FOR SUGGESTED LOCKING IN CERAMIC.
- △ 4 PRELIMINARY - NOT FOR PRODUCTION



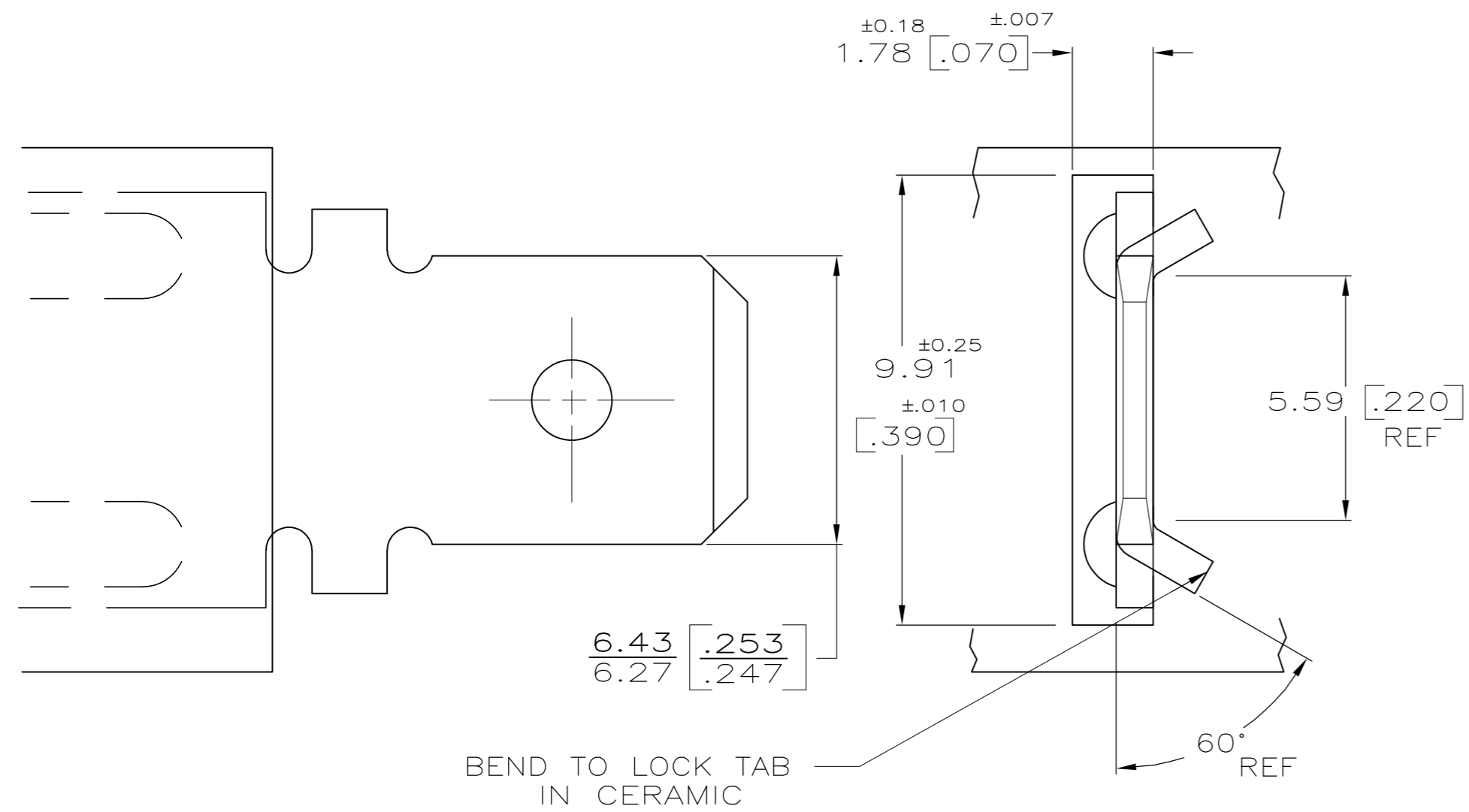
SECTION A-A

TIN PLATE	082 BRASS	△ 4 63301-2
NICKEL PLATE	STEEL	63301-1
FINISH	MATERIAL	WIRE SIZE

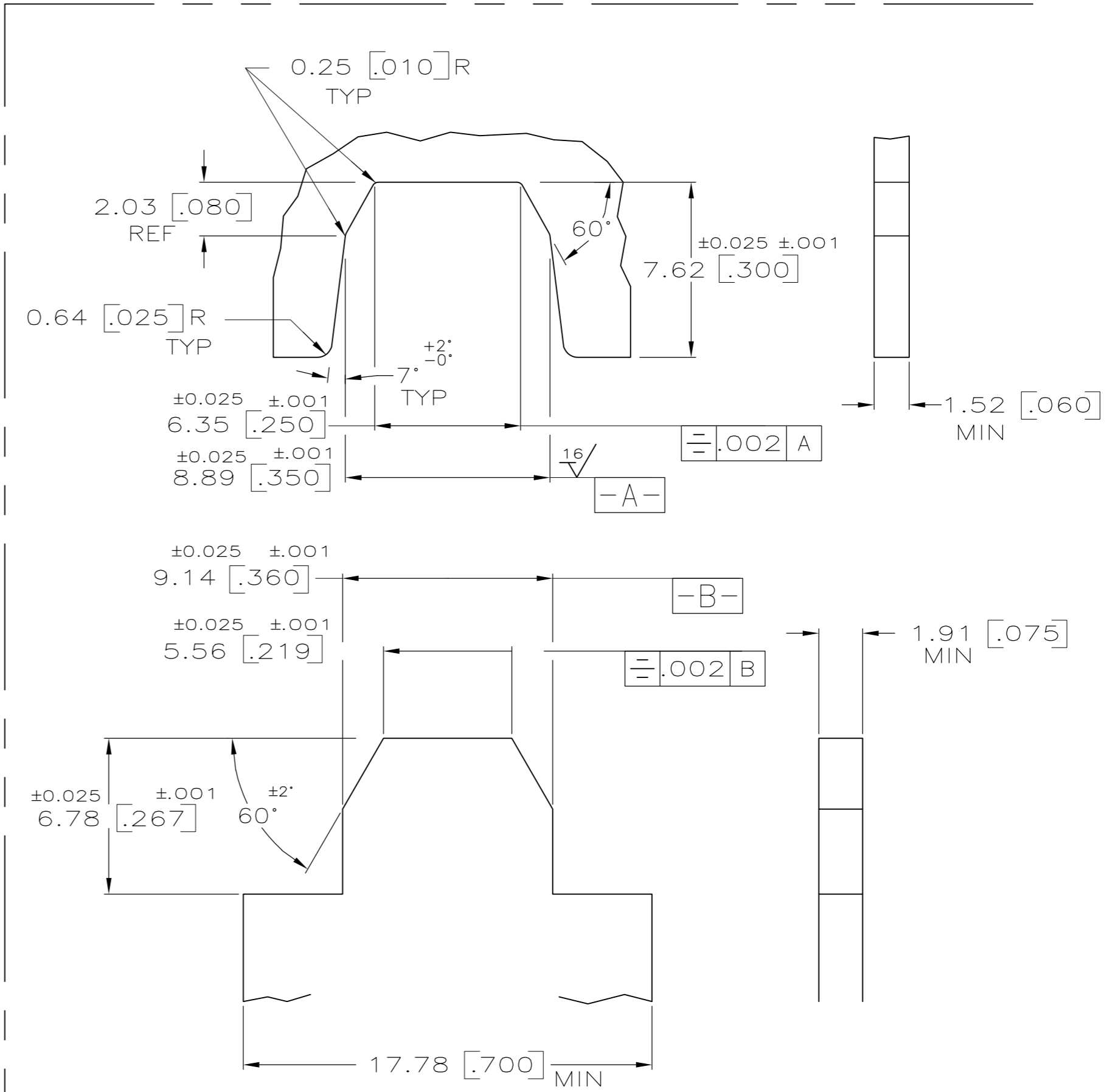
THIS DRAWING IS A CONTROLLED DOCUMENT.		DWN	JR RUTH	5/9/86	Tyco Electronics Corporation Harrisburg, PA 17105-3608		
DIMENSIONS: MM [INCHES]		CHK	G YETTER	5/20/86			
TOLERANCES UNLESS OTHERWISE SPECIFIED:		APVD	C MEYERS	5/20/86	NAME		
0 PLC ± - 1 PLC ± - 2 PLC ± - 3 PLC ± 0.25 [.010] 4 PLC ± - ANGLES ± -		PRODUCT SPEC		.250 TAB FOR NI-CHROME WIRE			
MATERIAL SEE TABLE		FINISH SEE TABLE		APPLICATION SPEC		RESTRICTED TO	
		WEIGHT		-		SIZE	A3
		CUSTOMER DRAWING		CAGE CODE	00779	DRAWING NO	C-63301
		SCALE		NTS		SHEET	1 OF 2
						REV	E1

THIS DRAWING IS UNPUBLISHED. RELEASED FOR PUBLICATION
 © COPYRIGHT BY TYCO ELECTRONICS CORPORATION. ALL RIGHTS RESERVED.

LOC	DIST	REVISIONS			
P	LTR	DESCRIPTION	DATE	DWN	APVD
AF	50	E1	SEE SHEET 1	-	-

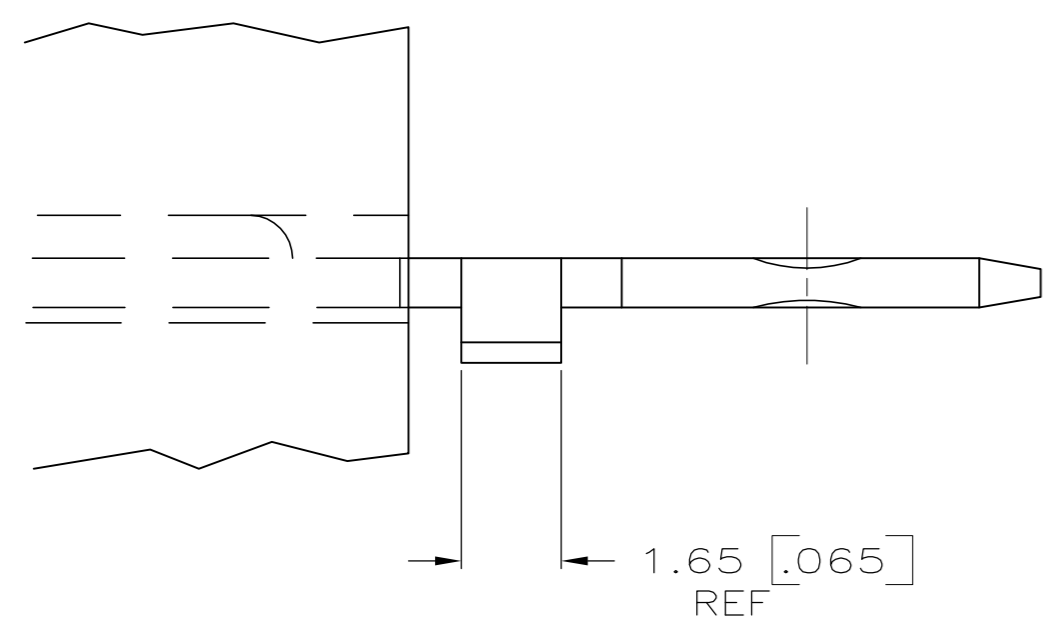


BEND TO LOCK TAB
IN CERAMIC



CLINCHERS

MATL: AISI 3250 Rc 53-55
TOLERANCES: ±0.13 ±[005]



THIS DRAWING IS A CONTROLLED DOCUMENT.		DWN JR RUTH 5/9/86	Tyco Electronics Corporation Harrisburg, PA 17105-3608	
DIMENSIONS: MM [INCHES]		CHK G YETTER 5/20/86	NAME .250 SERIES TAB FOR NI-CHROME WIRE	
TOLERANCES UNLESS OTHERWISE SPECIFIED:		APVD C MEYERS 5/20/86	PRODUCT SPEC	RESTRICTED TO
0 PLC ± - 1 PLC ± - 2 PLC ± - 3 PLC ± 0.38 [.015] 4 PLC ± - ANGLES ± -		APPLICATION SPEC	SIZE A2	CAGE CODE 00779
MATERIAL	FINISH	WEIGHT	DRAWING NO C=63301	SCALE NTS
-	-	-	SHEET 2 of 2	REV E1
CUSTOMER DRAWING			SCALE NTS	